
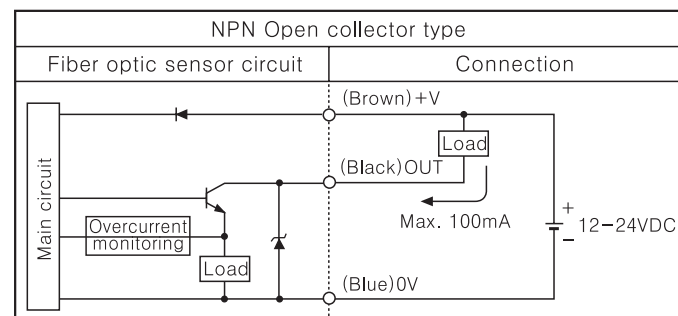


Digital indicating type fiber optic sensor(BF5 series)

Specifications

| Model | Dual Display type | Single Display type |
|--------------------------------|---|---|
| | BF5R-D1-N | BF5R-S1-N |
| Appearances & Dimensions |  [W12×H32.8×L66mm] | |
| Light source | Red LED(660nm) Pulse modulated light | |
| Power supply | 12-24VDC ±10% | |
| Current consumption | Max. 50mA | |
| Control output | NPN Open collector(Sink Current :Max. 100mA, Applied Voltage:Max. 24V, Residual voltage:Max. 1V) | |
| Protection circuit | Reverse polarity protection, Overcurrent protection, Surge absorption | |
| Response time | Ultra Fast:50μs, Fast:150μs, STD:500μs, Long:4 ms | Fast:150μs, STD:500μs, Long:4 ms |
| Display | <ul style="list-style-type: none"> ●Incident light level: Red, 4 digit, 7Segment ●SV : Green, 4 digit, 7Segment ●Main output indicator : Red LED | <ul style="list-style-type: none"> ●Incident light level / SV : Red, 4 digit, 7Segment ●Main output indicator : Red LED |
| Display function | Incident light level / SV display [4000/10000 resolution], Percentage display, Peak / Bottom value display, Normal / Reversed display | |
| Sensitivity setting | Auto tuning mode, 1 point teaching, 2 point teaching, Positioning teaching | Auto tuning mode |
| Mutual interference prevention | Max. 8 unit sets (Automatically set regardless of response time) | |
| Initializing | Initializing to factory mode | — |
| Power saving | Normal / Power save 1 / Power save 2 | — |
| Timer | OFF, Off delay, On delay, One shot | OFF, 10ms off delay timer, 40ms off delay timer |

Control output diagram and terminal connections



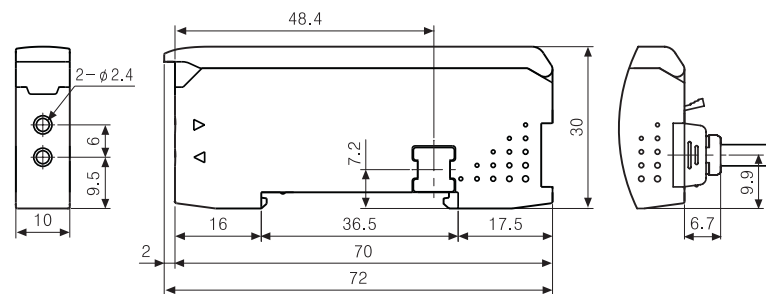
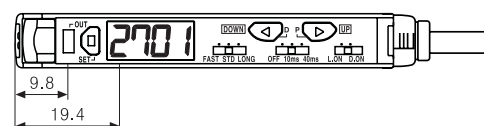
※Connect Diode at external terminal for inductive load.

Dimensions

BF5R-D1-N



BF5R-S1-N



Unit:mm

| |
|---|
| Counter |
| Timer |
| Temp. controller |
| Power controller |
| Temp./ Humidity transducer |
| Thermo couples & RTD |
| Panel meter |
| Tacho/ Speed/ Pulse meter |
| Display unit |
| Serial converter module |
| Graphic panel |
| Sensor controller/ Switching power supply |
| Proximity sensor |
| Photo electric sensor |
| Pressure sensor |
| Rotary encoder |
| Stepping motor & Driver & Controller |
| Field network device |